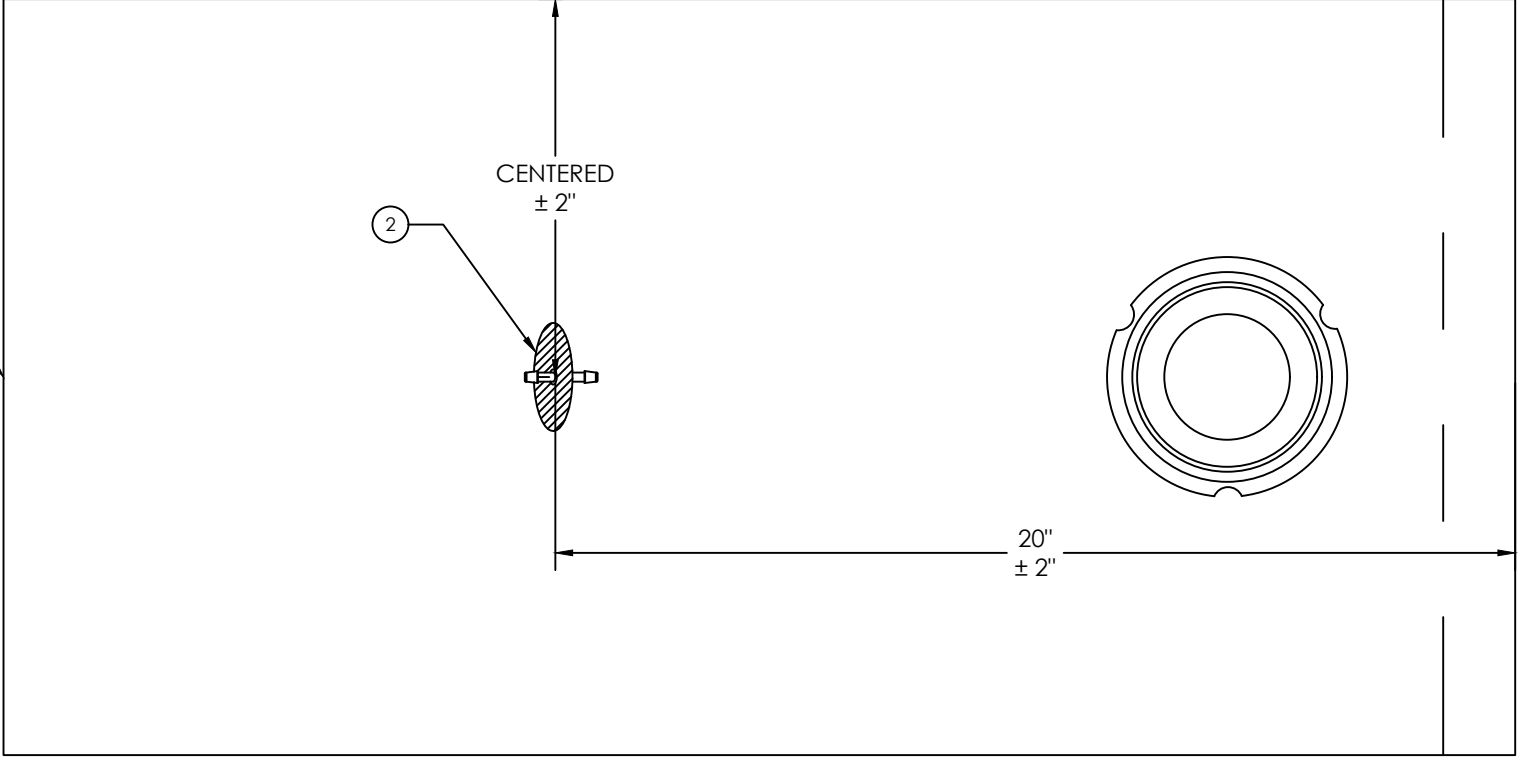


#	PART NUMBER	DESCRIPTION	MATERIAL	QTY
1	00113335	BIO356 NS BIOSAFE RAFT BAG 110mm PORT, 40L	PE, ABS	1
2	00113811	F-BP-0188-OB FLOWLINX BAG PORT WITH OPPOSING BARB, 3/16" ID	HDPE	1

REVISIONS		DATE
REV	DESCRIPTION	
A	DRAFT	10/12/2023
0	INITIAL RELEASE	10/13/2023
1	REVISED BAG DIMENSIONS	03/26/2024



UNLESS OTHERWISE SPECIFIED:
 DIMENSIONS ARE IN INCHES
 CUT TUBING TOLERANCES:
 ANGULAR: ± 1°
 0" < DIM. ≤ 25": ± 0.25"
 25" < DIM. ≤ 50": ± 0.50"
 DIM. > 50": ± 1%

PROPRIETARY AND CONFIDENTIAL
 THE INFORMATION CONTAINED IN THIS
 DRAWING IS THE SOLE PROPERTY OF
 CAROLINA COMPONENTS GROUP.
 ANY REPRODUCTION IN PART OR AS
 A WHOLE WITHOUT THE WRITTEN PERMISSION
 OF CAROLINA COMPONENTS GROUP
 IS PROHIBITED.

TITLE:
 SARTORIUS BIOSAFE BAG w/ 3/16"
 ID OPPOSING BARB

DRAWN BY:
 AIDAN LIM

DATE:
 03/26/2024

NOTES:
 1) ASSEMBLY IS DOUBLE BAGGED.

APPROVAL & DATE:

DRAWING NOT TO SCALE

DRAWING NO.
 00122910

REV
 1

SHEET 1 OF 1