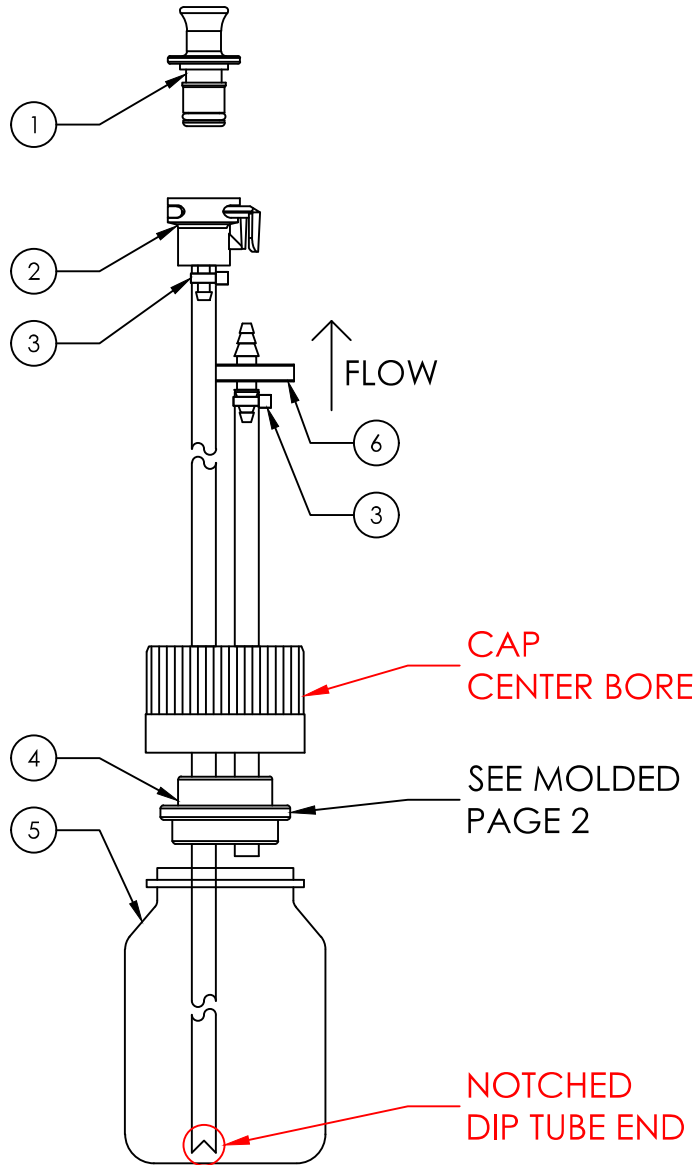


#	PART NUMBER	DESCRIPTION	MATERIAL	QTY
1	00108605	MPC30003M   MPC MALE PLUG	PC, PCS	1
2	00110624	MPC17002T03   MPC FEMALE x 1/8" HB	PC	1
3	00107800	PLT1M-M100   SMALL CABLE TIE	PP	2
4	00125404	F-TPC-38-1   TPE CLOSURE, 38-430, 2X 1/8" X 1/4", W/ CAP	TPE, HDPE	1
5	00121755	PET BOTTLE, 125ML	PET	1
6	00110625	1757G-----K   SARTAPORE PES VENTING FILTER, 4-6mm STEP HB X STEP HB; 0.2 um, 0.00048m²	PP, PES	1

REVISIONS		
REV	DESCRIPTION	DATE
A	DRAFT	03/12/2024
0	INITIAL RELEASE	04/29/2024



NOTES:

- 1) ASSEMBLY IS DOUBLE BAGGED.
- 2) ASSEMBLY IS TO BE GAMMA IRRADIATED  $\geq 25$  kGy.
- 3) CCG MOLDED TOLERANCES: 0"-12":  $\pm 1"$  | 13"-36":  $\pm 2"$  | 37"-72":  $\pm 3"$  |  $>72"$ :  $\pm 5\%$



**CAROLINA**  
COMPONENTS GROUP  
*Flow Through Us*

UNLESS OTHERWISE SPECIFIED:  
DIMENSIONS ARE IN INCHES  
CUT TUBING TOLERANCES:  
ANGULAR:  $\pm 1^\circ$   
0" < DIM.  $\leq 25"$ :  $\pm 0.25"$   
25" < DIM.  $\leq 50"$ :  $\pm 0.50"$   
DIM.  $> 50"$ :  $\pm 1\%$

APPROVAL & DATE:

PROPRIETARY AND CONFIDENTIAL  
THE INFORMATION CONTAINED IN THIS  
DRAWING IS THE SOLE PROPERTY OF  
CAROLINA COMPONENTS GROUP.  
ANY REPRODUCTION IN PART OR AS  
A WHOLE WITHOUT THE WRITTEN PERMISSION  
OF CAROLINA COMPONENTS GROUP  
IS PROHIBITED.

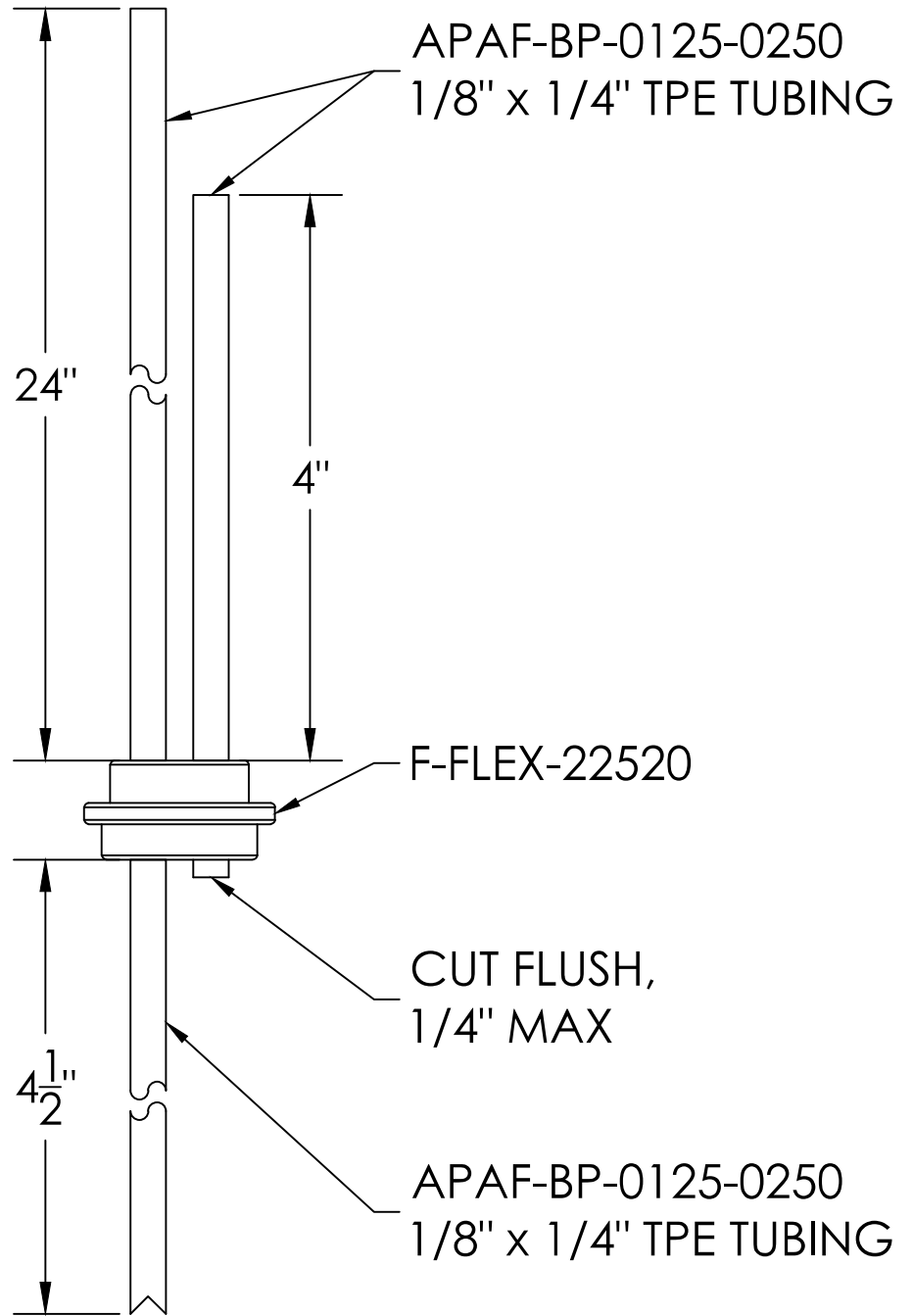
TITLE: F-TCA-125ML-PT-1 | 125mL PET  
MEDIA BOTTLE, TPE CLOSURE w/ MPCs, 2x  
1/8" x 1/4" - STERILE

DRAWN BY: TYLER TUESCHER  
DATE: 04/29/2024

DRAWING NO. 00125815  
REV 0

DRAWING NOT TO SCALE | SHEET 1 OF 2

# MOLDED



**NOTES:**

- 1) ASSEMBLY IS DOUBLE BAGGED.
- 2) ASSEMBLY IS TO BE GAMMA IRRADIATED ≥ 25 kGy.
- 3) CCG MOLDED TOLERANCES: 0"-12": ±1" | 13"-36": ±2" | 37"-72": ±3" | >72": ±5%



**CAROLINA**  
COMPONENTS GROUP  
*Flow Through Us*

UNLESS OTHERWISE SPECIFIED:  
DIMENSIONS ARE IN INCHES  
CUT TUBING TOLERANCES:  
ANGULAR: ± 1°  
0" < DIM. ≤ 25": ± 0.25"  
25" < DIM. ≤ 50": ± 0.50"  
DIM. > 50": ± 1%

PROPRIETARY AND CONFIDENTIAL  
THE INFORMATION CONTAINED IN THIS  
DRAWING IS THE SOLE PROPERTY OF  
CAROLINA COMPONENTS GROUP.  
ANY REPRODUCTION IN PART OR AS  
A WHOLE WITHOUT THE WRITTEN PERMISSION  
OF CAROLINA COMPONENTS GROUP  
IS PROHIBITED.

APPROVAL & DATE:

TITLE: F-TCA-125ML-PT-1 | 125mL PET  
MEDIA BOTTLE, TPE CLOSURE w/ MPCs, 2x  
1/8" x 1/4" - STERILE

DRAWN BY: TYLER TUESCHER  
DATE: 04/29/2024

DRAWING NO. 00125815	REV 0
-------------------------	----------

DRAWING NOT TO SCALE | SHEET 2 OF 2