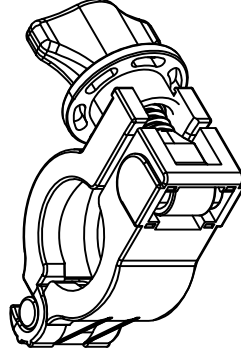
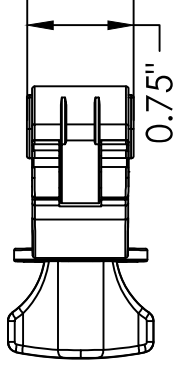
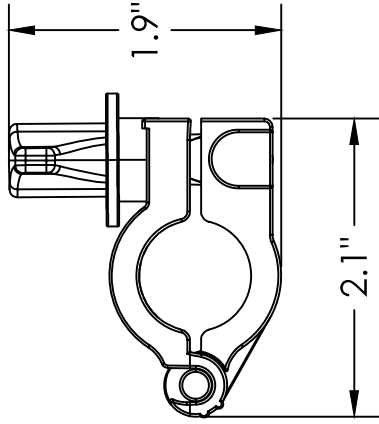


REVISIONS		
REV	DESCRIPTION	DATE
0	INITIAL RELEASE	09/03/2024



NOTES: 1) DRAWING IS FOR REFERENCE ONLY	TITLE: F-CLWT-0750 FLOWLINX MINI TC CLAMP
	DRAWN BY: ANDREW GILJE
	DRAWING NO. 00114389
	DATE: 09/03/2024
	REV 0
	DRAWING NOT TO SCALE
	SHEET 1 OF 1